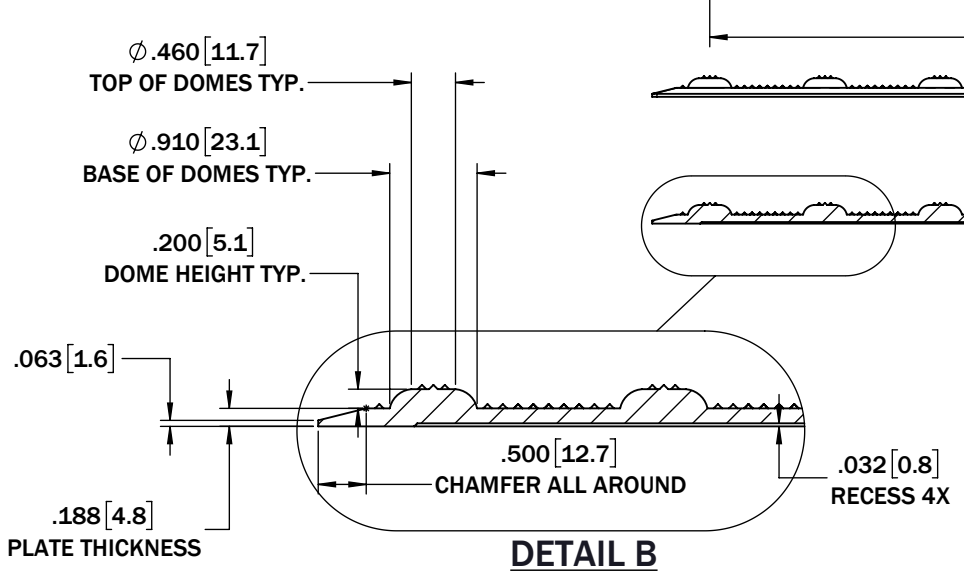
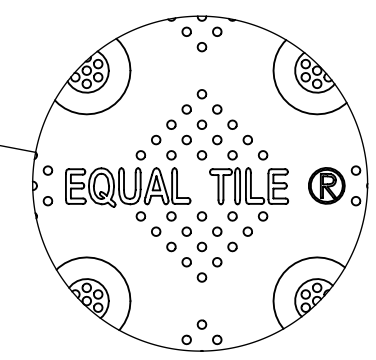
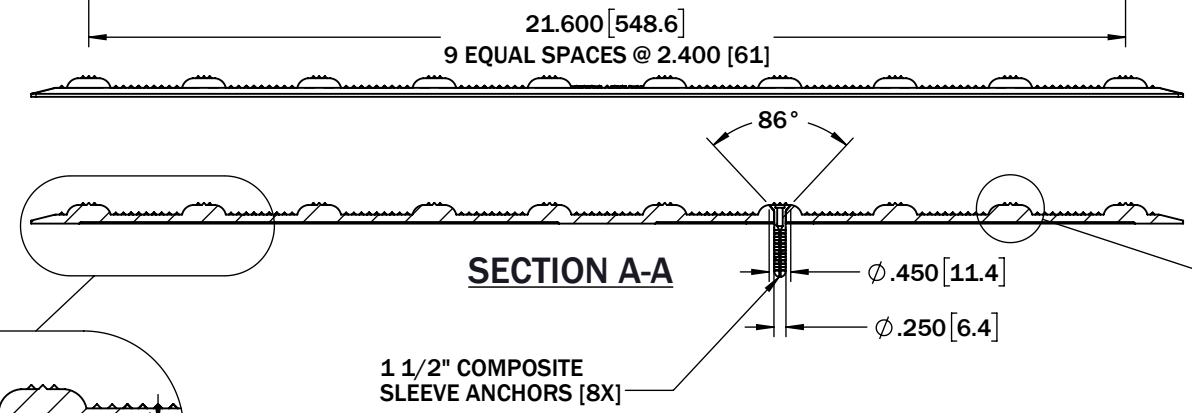


DETAIL A

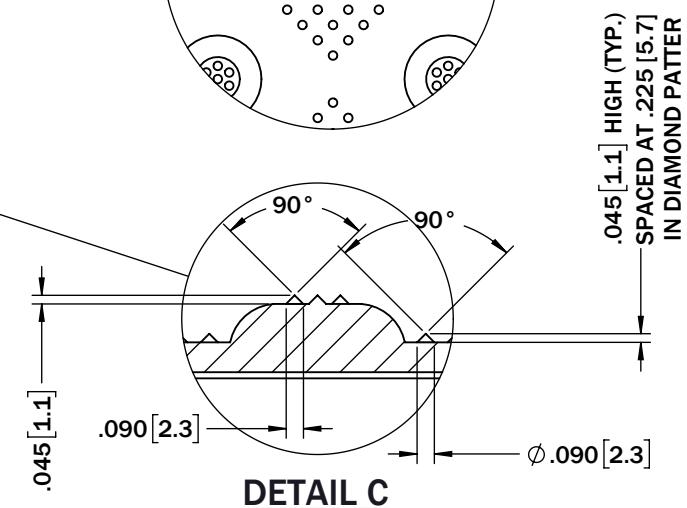
COUNTERSUNK HOLE WITH
Ø .250 THRU HOLE FOR
1/4" X 1 1/2" COMPOSITE
SLEEVE ANCHORS [8X]



DETAIL B



SECTION A-A



DETAIL C

WWW.EQUALTILE.COM

ADVANCED ROADWAY MANUFACTURING INC

ALL DIMENSIONS NOMINAL
PRIMARY DIMENSION = INCHES
[mm] IN PARENTHESES

DRAWING #:	SCALE:
24SAT-10024	1 : 4
PART #:	DATE:
EQL-24x24-SAT	12-8-21
MATERIAL: COMPOSITE	
PRODUCT NAME: 24" [610mm] X 24" [610mm] SURFACE APPLIED TACTILE WARNING SURFACE	

EQUALTILE

TEL: (800) 996-4510
WWW.EQUALTILE.COM
ENGINEERING@EQUALTILE.COM