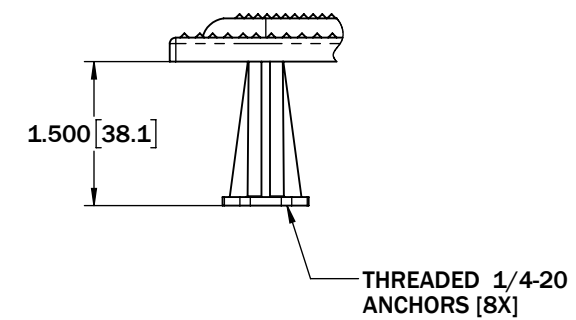
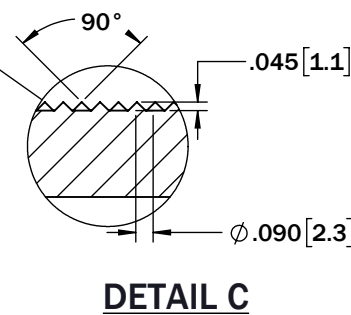
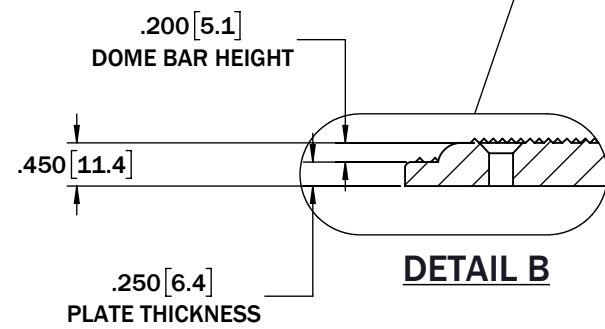
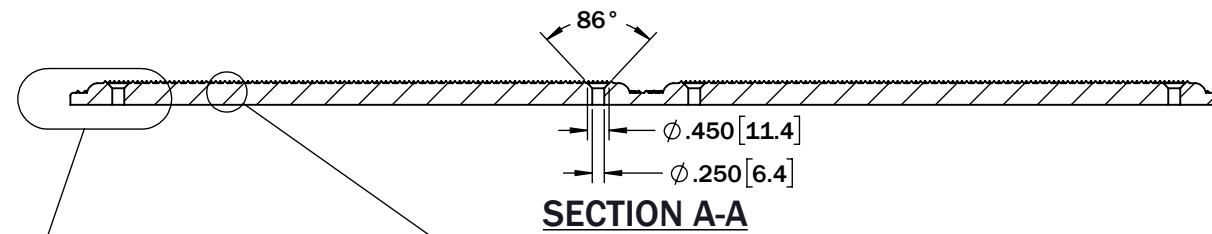


COUNTERSUNK HOLE WITH
 ϕ .250 THRU HOLE FOR
 1/4-20 BOLT TO ANCHORS [8X]



WWW.EQUALTILE.COM



ALL DIMENSIONS NOMINAL
 PRIMARY DIMENSION = INCHES
 [mm] IN PARENTHESES

DRAWING #: 12REP-DIR-24 SCALE: 1 : 4

PART #: EQL-12x24-REP-DIR DATE: 6-20-22

MATERIAL: COMPOSITE

PRODUCT NAME:
 12" [305mm] X 24" [609mm]
 REPLACEABLE
 DIRECTIONAL BAR TILE



TEL: (800) 996-4510
 WWW.EQUALTILE.COM
 ENGINEERING@EQUALTILE.COM