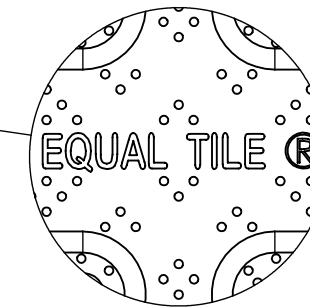
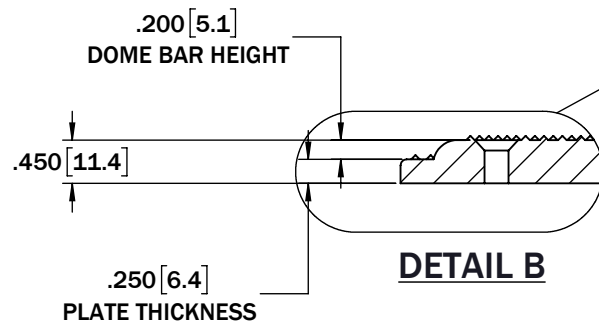
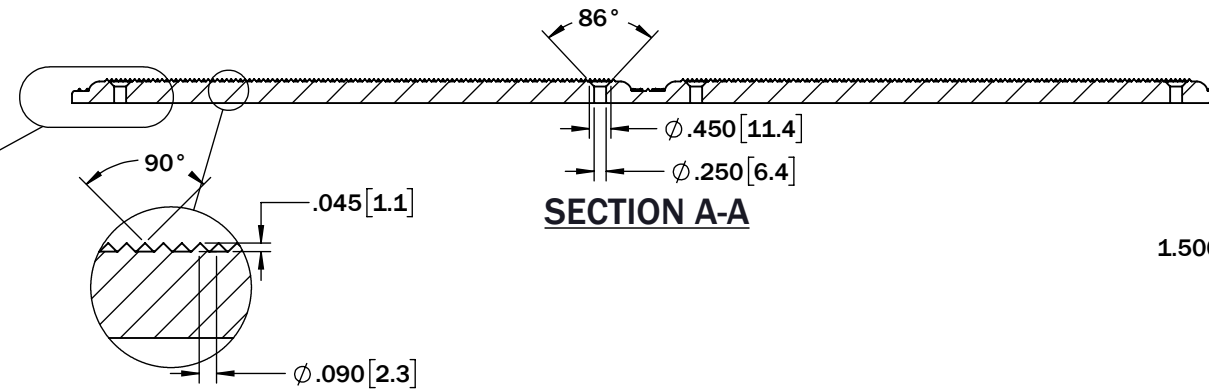


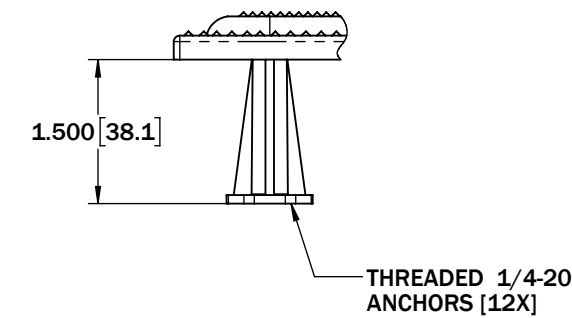
DETAIL A



COUNTERSUNK HOLE WITH
Ø.250 THRU HOLE FOR
1/4-20 BOLT TO ANCHORS [12X]



DETAIL C



www.EQUALTILE.COM

ADVANCED ROADWAY MANUFACTURING INC

ALL DIMENSIONS NOMINAL
PRIMARY DIMENSION = INCHES
[mm] IN PARENTHESES

DRAWING #: 24REP-DIR-24	SCALE: 1 : 4
PART #: EQL-24x24-REP-DIR	DATE: 6-20-22
MATERIAL: COMPOSITE	
PRODUCT NAME: 24" [609mm] X 24" [609mm] REPLACEABLE DIRECTIONAL BAR TILE	

EQUALTILE

TEL: (800) 996-4510
WWW.EQUALTILE.COM
ENGINEERING@EQUALTILE.COM