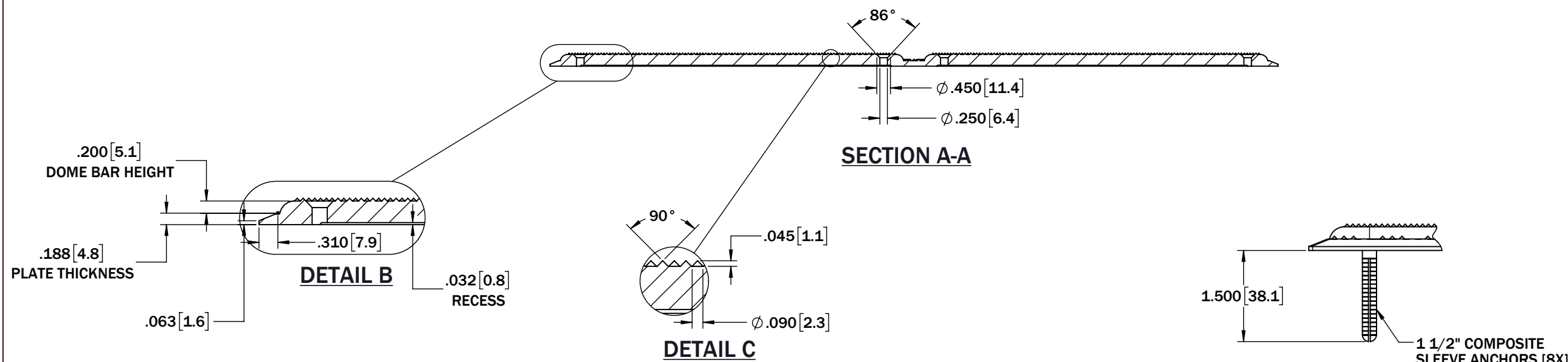
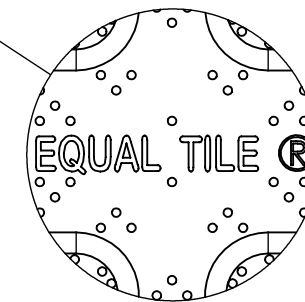
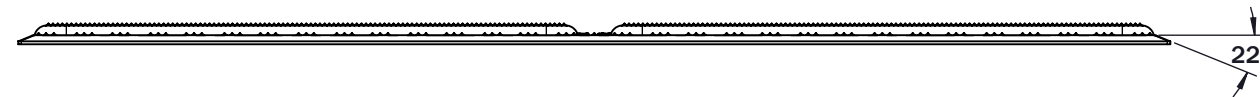


DETAIL A



www.EQUALTILE.COM



ALL DIMENSIONS NOMINAL
PRIMARY DIMENSION = INCHES
[mm] IN PARENTHESES

DRAWING #:	SCALE:
12SAT-DIR-24	1 : 4

PART #:	DATE:
EQL-12x24-SAT-DIR	6-20-22

MATERIAL: **COMPOSITE**

PRODUCT NAME:
**12" [305mm] X 24" [609mm]
SURFACE APPLIED
DIRECTIONAL BAR TILE**



TEL: (800) 996-4510
WWW.EQUALTILE.COM
ENGINEERING@EQUALTILE.COM