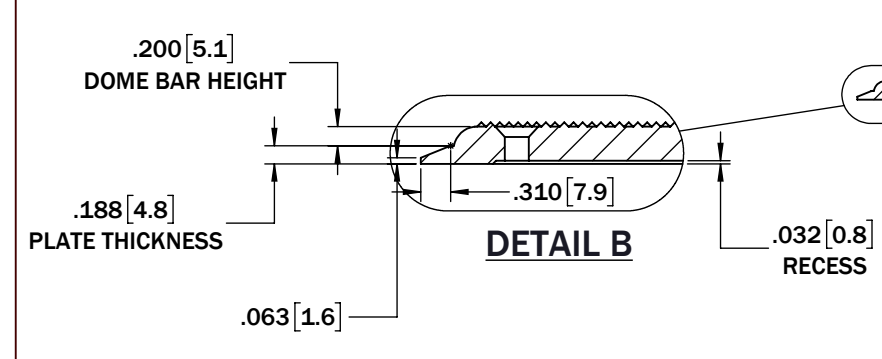
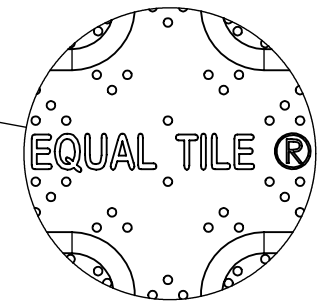
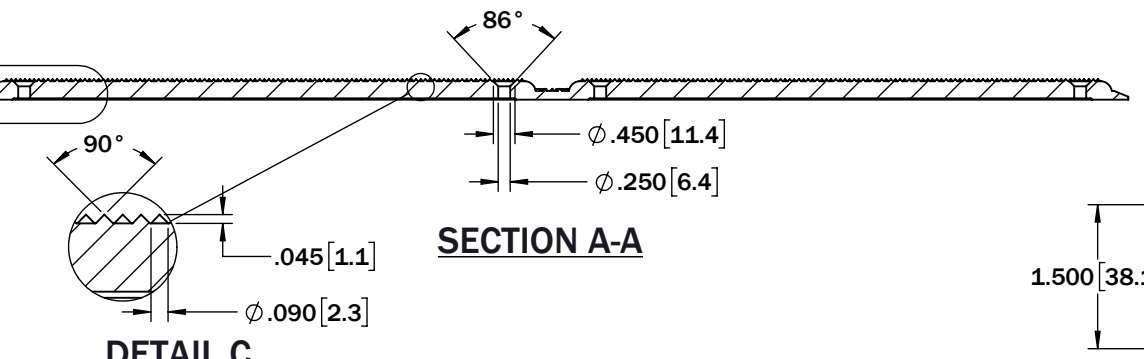


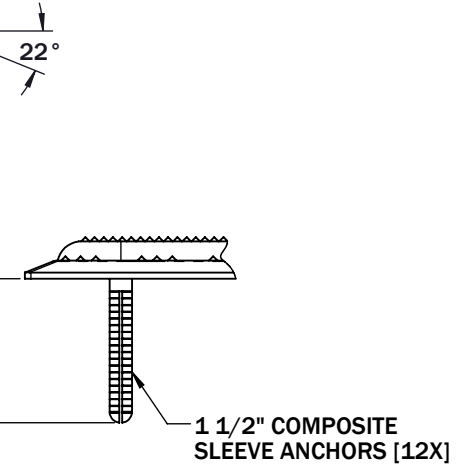
DETAIL A



DETAIL B



SECTION A-A



DETAIL C

WWW.EQUALTILE.COM

ADVANCED ROADWAY MANUFACTURING INC.

ALL DIMENSIONS NOMINAL
PRIMARY DIMENSION = INCHES
[mm] IN PARENTHESES

DRAWING #:	SCALE:
24SAT-DIR-24	1 : 4

PART #:	DATE:
EQL-24x24-SAT-DIR	6-20-22

MATERIAL: **COMPOSITE**

PRODUCT NAME:
**24" [609mm] X 24" [609mm]
SURFACE APPLIED
DIRECTIONAL BAR TILE**

EQUALTILE

TEL: (800) 996-4510
WWW.EQUALTILE.COM
ENGINEERING@EQUALTILE.COM